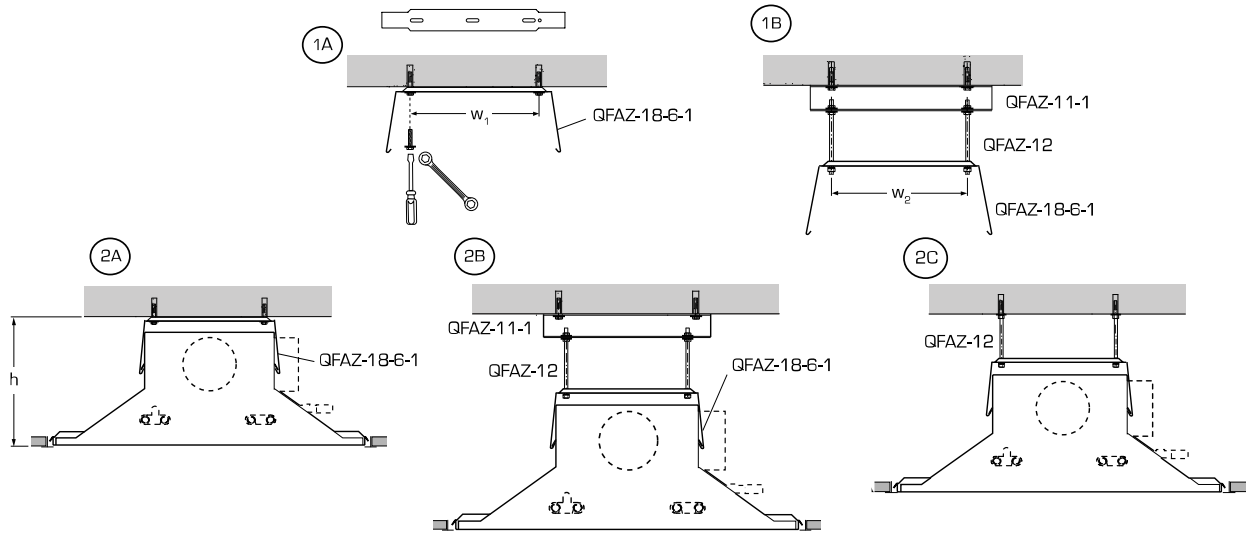


IQII-aaa-bb-cc-d-e

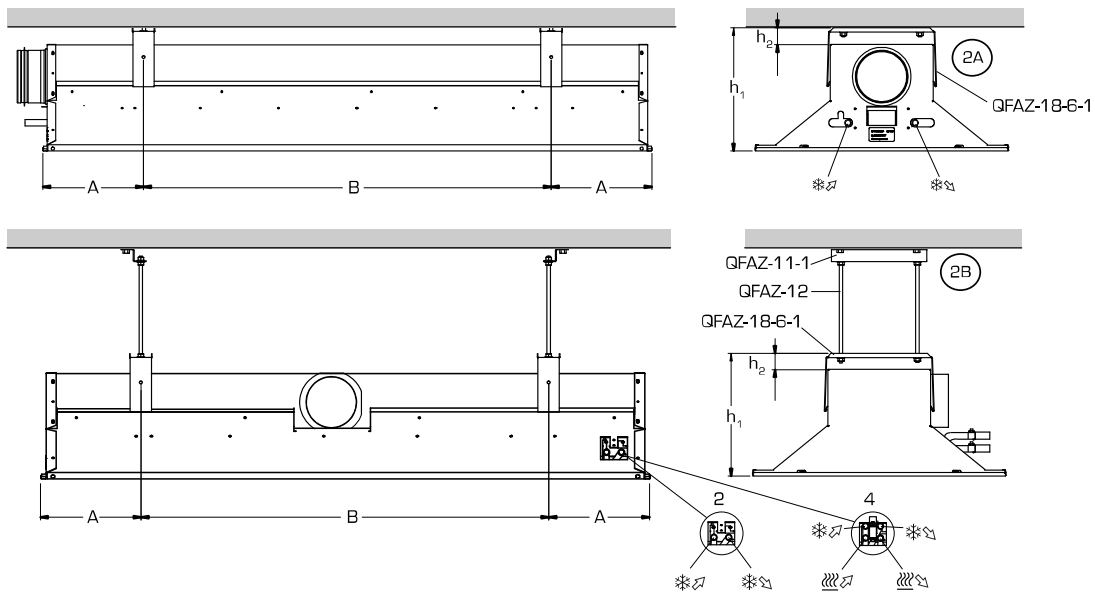
aaa (cm) = 120, 180, 240, 300

bb = 11, 13



$w_1 = 169 \text{ mm}$ $w_2 = 169 \text{ mm}$ $h = 295 \text{ mm}$

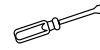
IQII-aaa-11/13/22/44/81/82/83/84-cc-d-e



$h_1 = 295 \text{ mm}$

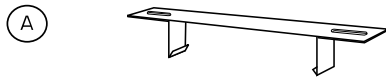
$h_2 = 44 \text{ mm}$

aaa (cm)	A (mm)	B (mm)
120	239	716
180	359	1076
240	479	1436
300	599	1796

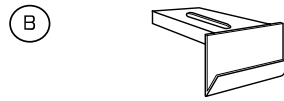


IQII-aaa-61/63/71/73-cc-d-e

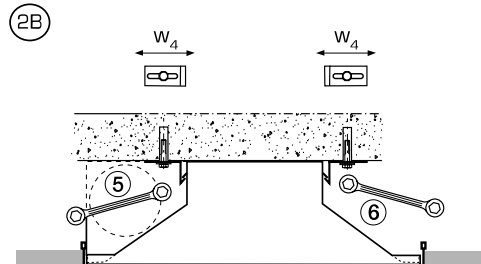
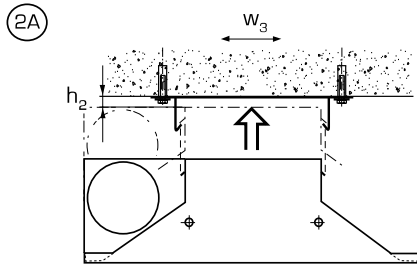
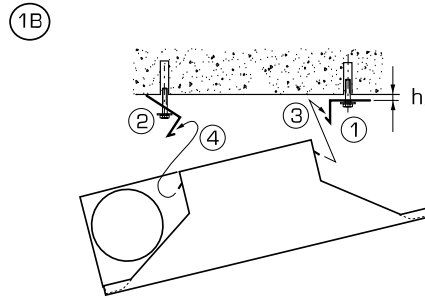
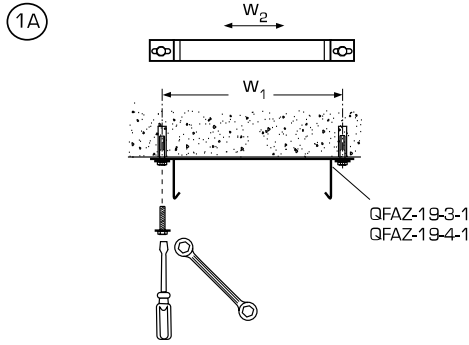
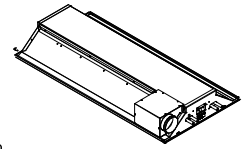
aaa = 120 cm, 180 cm, 240 cm, 300 cm



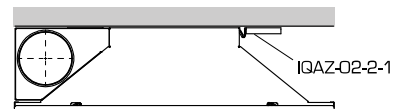
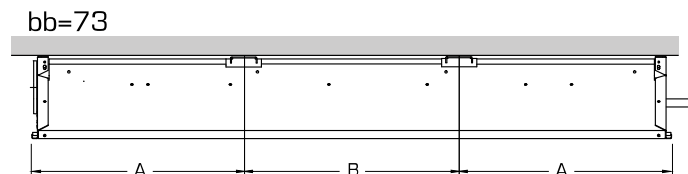
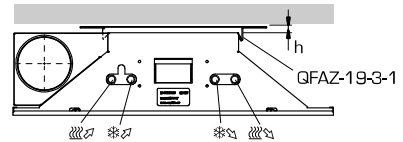
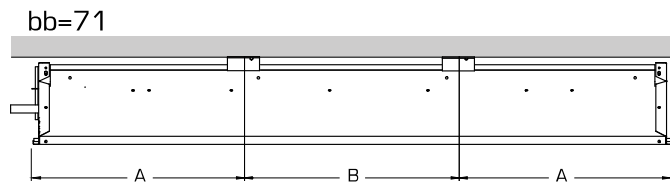
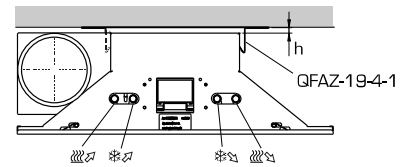
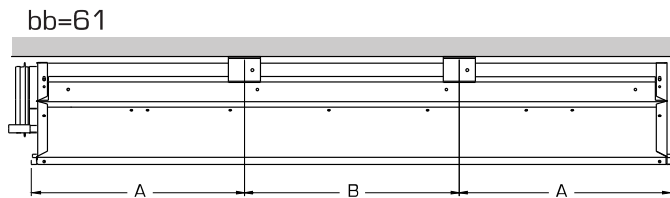
bb = 71/73 QFAZ-19-3-1 (x2)
bb = 61/63 QFAZ-19-4-1 (x2)



bb = 71/73 IQAZ-02-2-1 (x4)

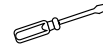


$w_1 = 315 \text{ mm}$ $w_3 = \pm 15 \text{ mm}$ $h_1 = 5 - 10 \text{ mm}$
 $w_2 = \pm 15 \text{ mm}$ $w_4 = \pm 20 \text{ mm}$ $h_2 = 10 \text{ mm}$

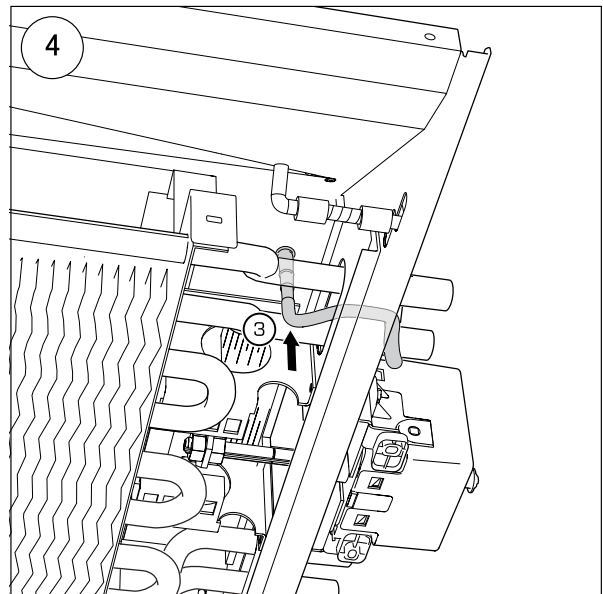
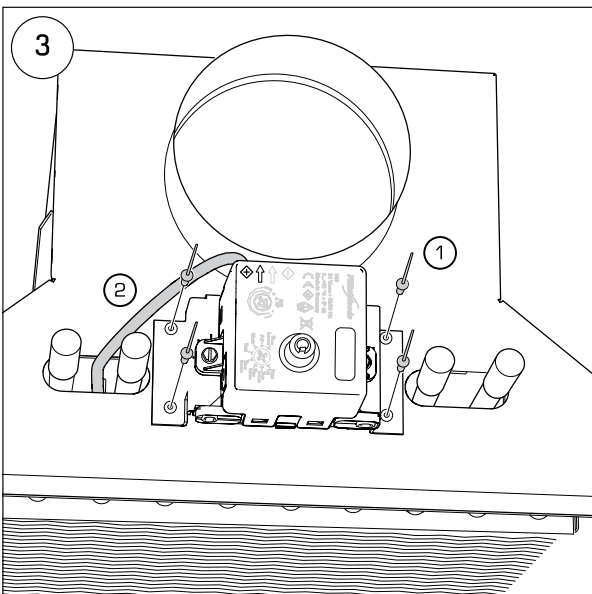
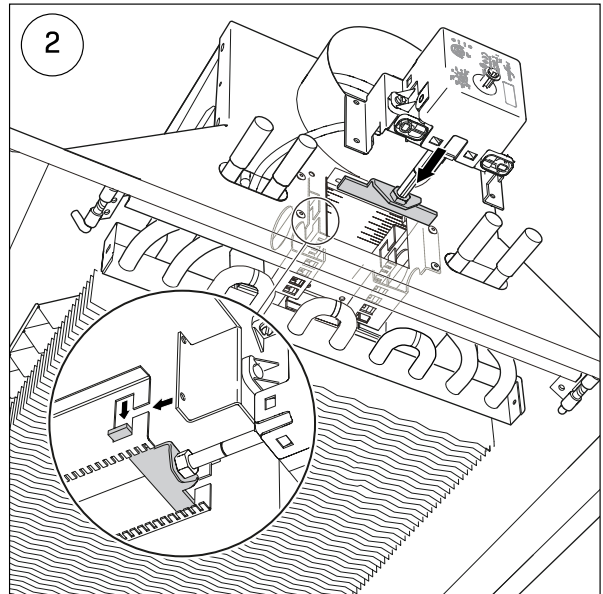
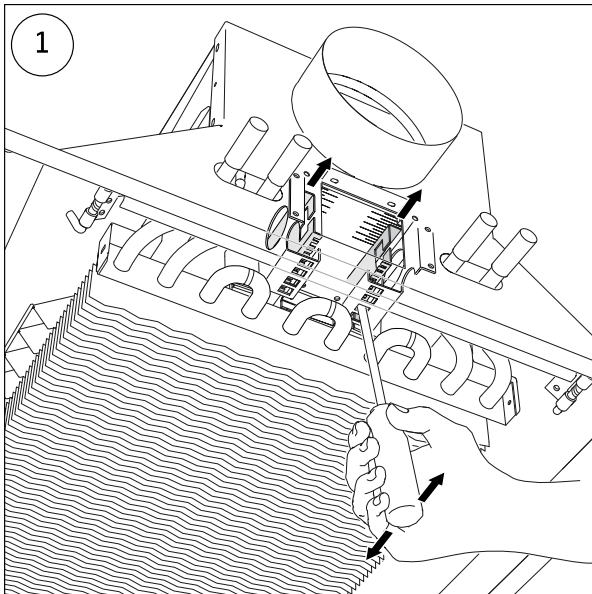
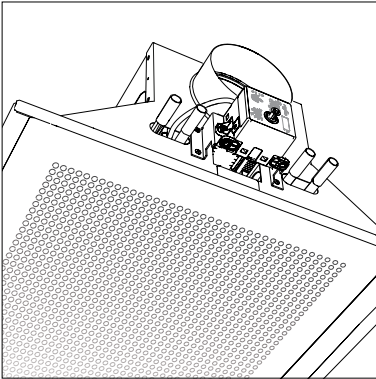


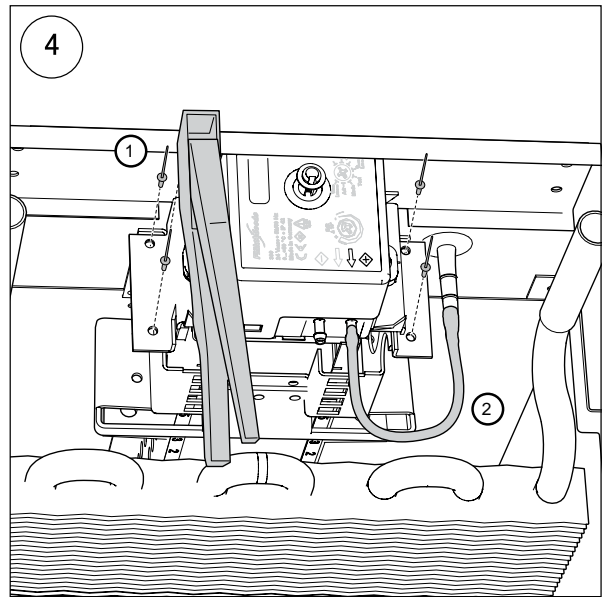
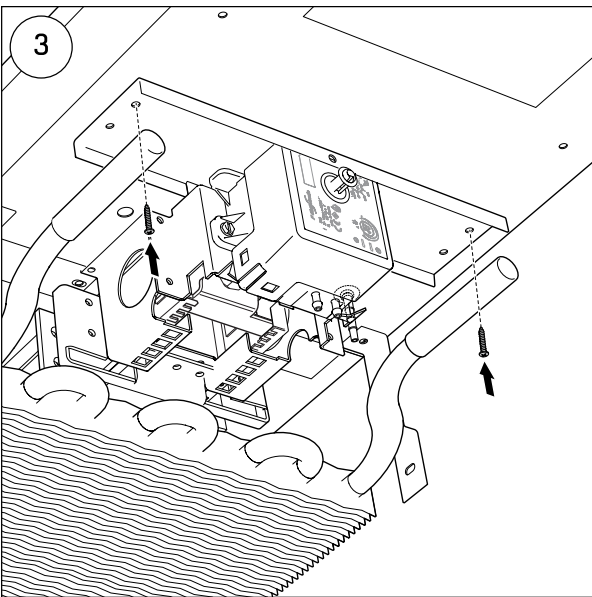
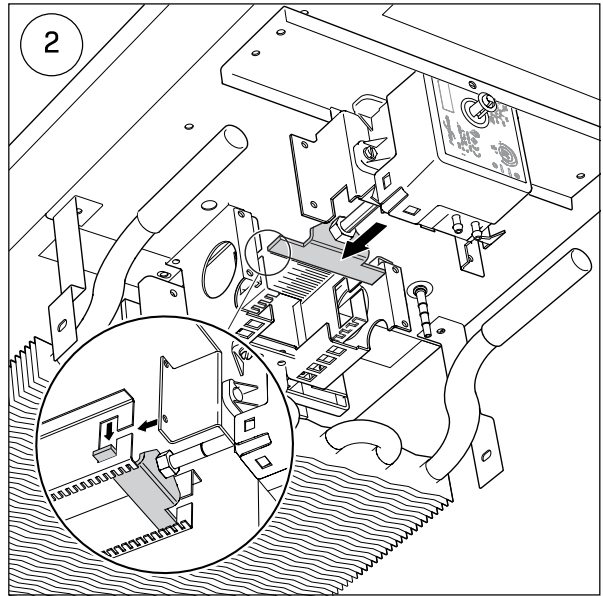
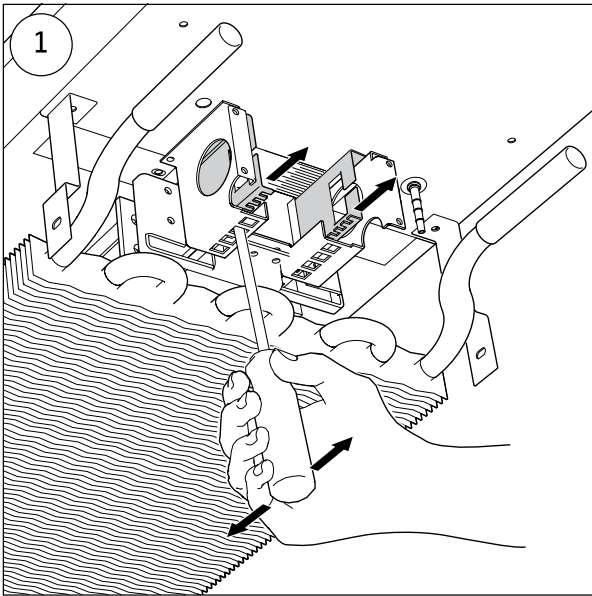
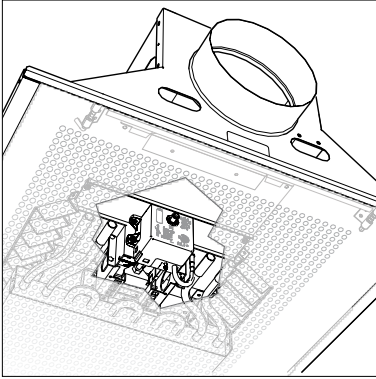
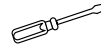
h = 10 mm

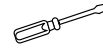
aaa (cm)	A (mm)	B (mm)
120	400	400
180	400	900
240	600	1200
300	600	1800



IQAZ-35-01-1-1-2







Electric Heating Installation - IQAZ-27

The electric heating foil system fulfils EN 60335-1 Class I standards

Children of less than 3 years should be kept away unless continuously supervised. (EN 60335-2-30:2009/A1:2012)

Children aged from 3 years and less than 8 years shall only switch on/off the appliance provided that it has been placed or installed in its intended normal operating position and they have been given supervision or instruction concerning use of the appliance in a safe way and understand the hazards involved. Children aged from 3 years and less than 8 years shall not plug in, regulate and clean the appliance or perform user maintenance. (EN 60335-2-30:2009/A1:2012)

This appliance can be used by children aged from 8 years and above and persons with reduced physical, sensory or mental capabilities or lack of experience and knowledge if they have been given supervision or instruction concerning use of the appliance in a safe way and understand the hazards involved.

Children shall not play with the appliance. Cleaning and maintenance shall not be made by children without supervision.

The heater must not be located immediately below a socket outlet.

The chilled beam with heater must be installed at least 1.8 m above the floor.

CAUTION – Some parts of this product can become very hot and cause burns. Particular attention has to be given where children and vulnerable people are present.

Final circuit design criteria

- The total power of a single final circuit shall not exceed 2000 W.
- The total number of chilled beam units in a single final circuit shall not exceed 6 pieces.

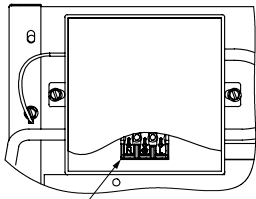
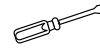
Electrical connection

- Chilled beams shall be connected to protective earth, PE.
- The final circuit shall include a fuse, max 10 A.
- The power supply shall be protected with a ground fault circuit interrupter, 30 mA.
- Means for disconnection must be incorporated in the fixed wiring in accordance with the wiring rules.
- If cable is damaged it has to be replaced by a qualified electrician or by the manufacturer.

Operation

- The electric heating power supply shall be switched off if there is no air flow through the chilled beam (for example, if the air handling unit is switched off or the fire damper is closed).
- To prevent that the heating foil is used without air, it is recommended to use a pressure guard connected to the pressure nipple on the chilled beam. In this way, the heating foil could only be used if a certain pressure in the chilled beam is exceeded.
- Electrical heater should not be used by less than 7 l/s.m (airflow per active m) chilled beam.

Installation



Connection side by Wago contact.
AC 230 V, 50 Hz

